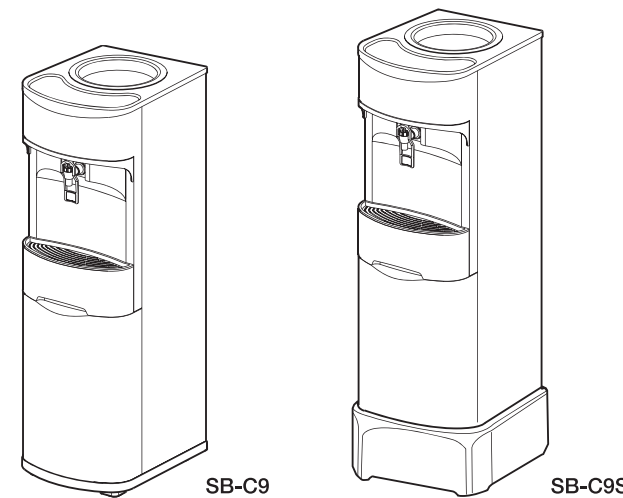


SHARP OPERATION MANUAL



COLD WATER DISPENSER
MODEL SB-C9
SB-C9S

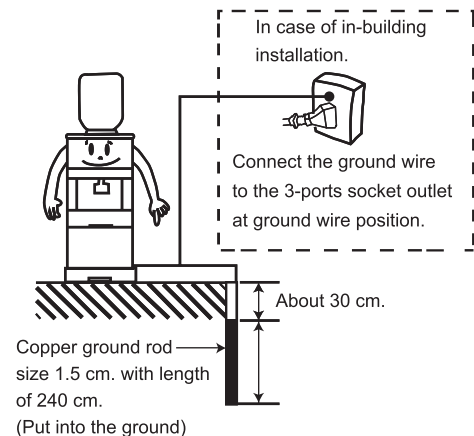
CONTENTS	PAGE
USAGE PRECAUTIONS	10-11
DESCRIPTION OF PARTS	12
SPECIFIC INFORMATION	12
INSTALLATION GUIDES	13
HOW TO USE COLD WATER DISPENSER	13
STEPS TO FILL WATER INTO THE UNIT	14
CLEANING AND MAINTENANCE	15
TESTING FOR WATER LEAK FROM TANK COOLER	15
INITIAL INSPECTIONS	16

Please see the date of manufacture marked on the product. Thank you for your trust in products of Thai City Electric Co., Ltd. In order to use cold water dispenser in efficiency way. Please read the instructions manual carefully before using this appliance.

USAGE PRECAUTIONS

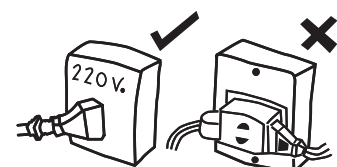
Please read the warning and cautions carefully before using this appliance and comply strictly for your own safety and to prevent the damage that may occur on your property.

- The ground wire must be installed with the cold water dispenser.
- To equip with electrical leakage protection device such as ELCB is recommended.
- Be sure to install the unit at non electrical induction and dry area. Such as non metal floor and always keep the floor unmet.
- Keep the unit be checked by the authorized service center every 6 months is recommended.



WARNING

- Never share the wall outlet with other appliances.



- In case the power cord is broken, it must be replaced by manufacturer or appointed service providers or equivalent professional to avoid any damages.

- If the unit is malfunctioned, do not fix it by yourself, for your safety and the efficiently use of the unit, please contact SHARP service center in your area.

CAUTIONS

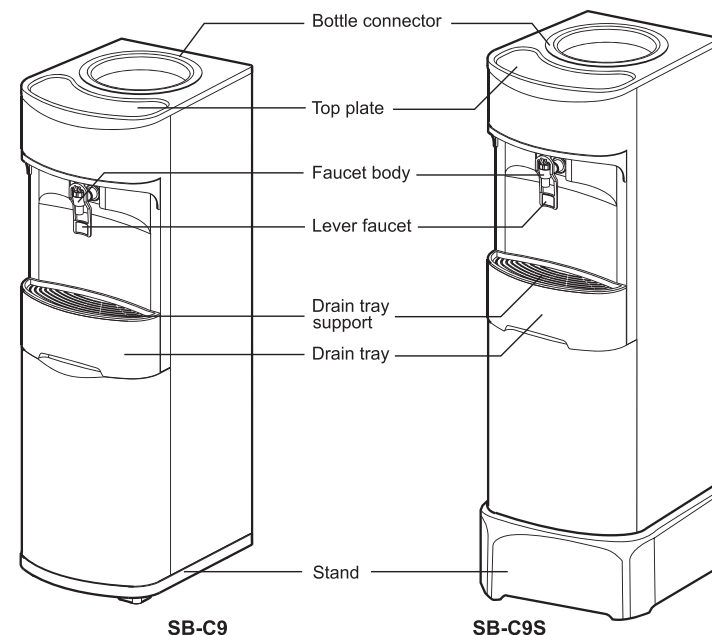
- After a long operation, dirty and sediment may accumulate inside the tank cooler. Clean them off in order to enhance the refrigeration to high efficiency and not hot water clean to the tube and plastic parts, it may cause damage.

- Do not fill the tank cooler with water of temperature higher than 65°C because it cause the compressor to work hard as well.

- In case of fluctuated power supply (you may notice on blinking or less brightness of lamp), the unit must be plugged off.

- Do not unplug the unit during the night time because this unit has automatic temperature control.

DESCRIPTION OF PARTS



SPECIFIC INFORMATION

Model	SB-C9	SB-C9S
Rated voltage (V)	220	
Rated frequency (Hz)	50	
Cold water capacity (Liters/Hr)	4.36	
Cooling agent	R-134a	
Rated current (A)	0.7	
Water temperature control	Thermostat	
Outside dimension (W x H x D) (mm.)	305 x 997 x 380	305 x 1,080 x 380
Weight (kg)	15	16

* Detail is subject to change without prior notice.

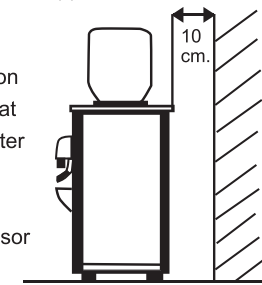
INSTALLATION GUIDES

Location preparation.

Install the cold water dispenser on a level floor to prevent vibration that may cause too much noise while operating this appliance.

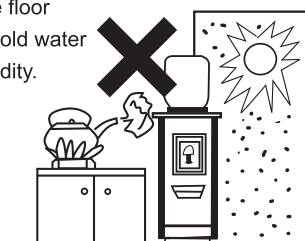
Appropriate ventilation.

Locate the cold water dispenser in a location where there is proper air circulation. Allow at least 10 cm. of space between the cold water dispenser (at rear) and the wall in order to allow for appropriate air circulation to cool the compressor. This will help the compressor last for longer.



Install the cold water dispenser in appropriate insulated area.

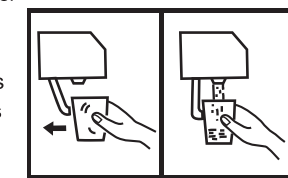
Install the cold water dispenser in location that is properly insulated and not wet. For example, it may cover the floor with rubber liners etc. Also, keep the cold water dispenser area free of water and humidity. Locate the appliance away from direct sunlight or sources of heat such as stove or oven etc.



HOW TO USE COLD WATER DISPENSER

Be sure that the rated voltage is 220V only before use.

- Wipe and clean the tank cooler before invert the water bottle.
- Lift the water bottle and invert the bottle then insert it into the water intake on top of the cold water dispenser.
- Plug the cold water dispenser into the electrical outlet tightly.
- Waiting for a while until the cold water dispenser is activated, if you need cold water, use a glass to receive water from the faucet then presses the lever faucet. When the glass is full of water, remove it in order to stop releasing water from the unit.



- Remove the water bottle when it is empty.

Note

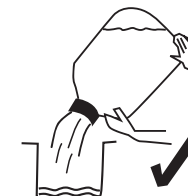
If the cold water dispenser will not be used for a long period of time, unplug the power cord from the wall outlet and remove the water bottle and drain the water from the tank cooler.

STEPS TO FILL WATER INTO THE UNIT

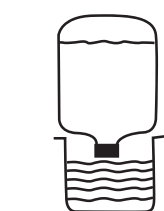
- Carefully lift bottle (Short-neck water bottle), using one hand hold at the neck of bottle and another hand hold at the bottom of bottle. (See in the picture)



- Tilt the bottle and invert the bottle quickly. (See in the picture)



- Place the bottle in vertical position and make sure the bottle settles properly on the cold water dispenser. (See in the picture)



CAUTIONS

Do not pour the water from the bottle to the tank cooler the tank cooler is full before placing the bottle on the unit. (See in the picture)



When the water is empty, and you would like to change to the new bottle of water, please follow below instructions:

- Take out the empty bottle from the tank cooler.
- Check the water level in the tank cooler. It should not be more than half of the tank cooler. Then place the new water bottle by following the water refill instruction 1-3.

CLEANING AND MAINTENANCE

Always unplug the unit before cleaning.

Cleaning the unit

- Cleaning outside of the unit.** Use damp cloth with mild soap to clean external surface then use damp cloth with clean water to wipe the soap and dry with soft cloth again.

Note

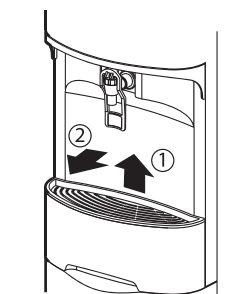
Do not clean outside of the unit by using any volatile such as benzene or thinner. Some of these volatile may discolor or damage some part of the unit.

- When condenser assembly is dirty.** Sweep away and accumulation of dust should be wiped out to allow the machine works at maximum efficiency.

Cleaning parts

Drain tray.

- Lift the drain tray (No. 1) and remove it from the front of the unit (No. 2).
- Water in the drain tray must be removed; rinse and use sponge to clean then dry it with soft cloth and reassemble the drain tray into the unit.



TESTING FOR WATER LEAK FROM TANK COOLER

- Unplug the unit.
- Remove the water bottle from the cold water dispenser, drain water from the tank cooler until water remains 3/4 of the tank cooler.
- Leave the unit for 24 hours and note whether water remains at the same level or any leakage from any parts. If the water level decreases, please inform SHARP service facility or contact SHARP company.

MANUFACTURED BY WESTERN APPLIANCES CO., LTD.
97 Moo 20 Sala Daeng, Bang Nam Prik, Chachoengsao 24000

THAI CITY ELECTRIC
THAI CITY ELECTRIC CO., LTD.
1563/4 New Petchburi Rd., Makkasan, Ratchathewi, Bangkok 10400
Tel. 0 2533 3111 Call Center 0 2254 5000
E-mail : callcenter@thaicity.co.th

www.thaicity.co.th
www.sharp-weedclub.com
www.facebook.com/sharpweedclub

Sole Distributor in Thailand

คิดบวก ทำบวก
เพื่อเด็กฯ และสังคมไทย
www.thaicity.co.th

INITIAL INSPECTIONS

Please inspect the following points before calling for service.

Symptom	Check points
Water not cooling or compressor not working.	<ul style="list-style-type: none"> Check if the plug is tight firmly. Check if there is problem with electricity or not. (If there is a problem with electricity, delay unit will automatically cut off the electricity for 3 minutes and then starts operating again.)
Overflow water from the base.	<ul style="list-style-type: none"> Check if there is too much water in the tank cooler. Check if the water from the drain tray is leaking in the front of the unit or not.
Unit operation is noisy.	<ul style="list-style-type: none"> Check if the unit is place on incline floor or not.
Water leakage, water drop, water ooze out.	<ul style="list-style-type: none"> Check for any leakage at the tank cooler? Check for cracked water bottle? Check for any leakage or any water drop from the faucet body?
Water cannot flow properly.	<ul style="list-style-type: none"> Check water in the tank cooler. Is it freeze and blocked the water outlet?