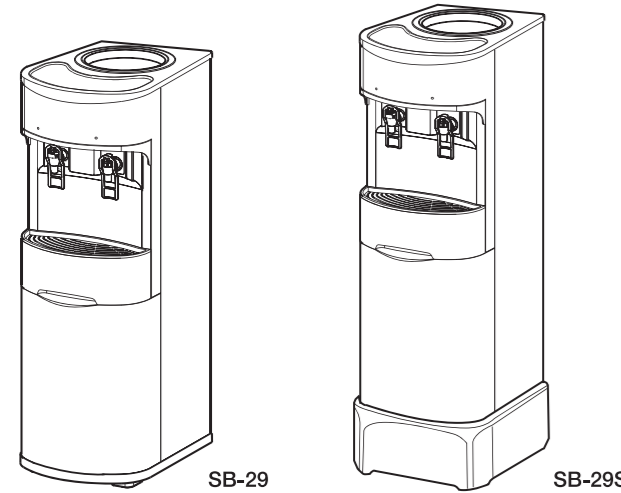


# SHARP OPERATION MANUAL



## HOT & COLD WATER DISPENSER MODEL SB-29 SB-29S

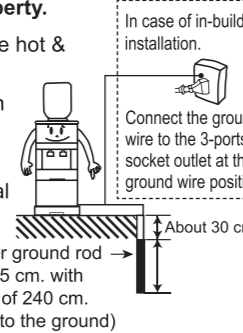
CONTENTS	PAGE
USAGE PRECAUTIONS	10
DESCRIPTION OF PARTS	11
SPECIFIC INFORMATION	12
INSTALLATION GUIDES	12
HOW TO USE HOT & COLD WATER DISPENSER	13
STEPS TO FILL WATER INTO THE UNIT	14
CLEANING AND MAINTENANCE	15
INITIAL INSPECTIONS	16
TESTING FOR WATER LEAK FROM TANK COOLER	16

Please see the date of manufacture marked on the product  
Thank you for your trust in products of Thai City Electric Co., Ltd.  
In order to use hot & cold water dispenser in efficiency way. Please read the instructions manual carefully before using this appliance.

## USAGE PRECAUTIONS

Please read the warning and cautions carefully before using this appliance and comply strictly for your own safety and to prevent the damage that may occur on your property.

- The ground wire must be installed with the hot & cold water dispenser.
- To equip with electrical leakage protection device such as ELCB is recommended.
- Be sure to install the unit at non electrical induction and dry area. Such as non metal floor and always keep the floor unmet.
- Keep the unit be checked by the authorized service center every 6 months is recommended.



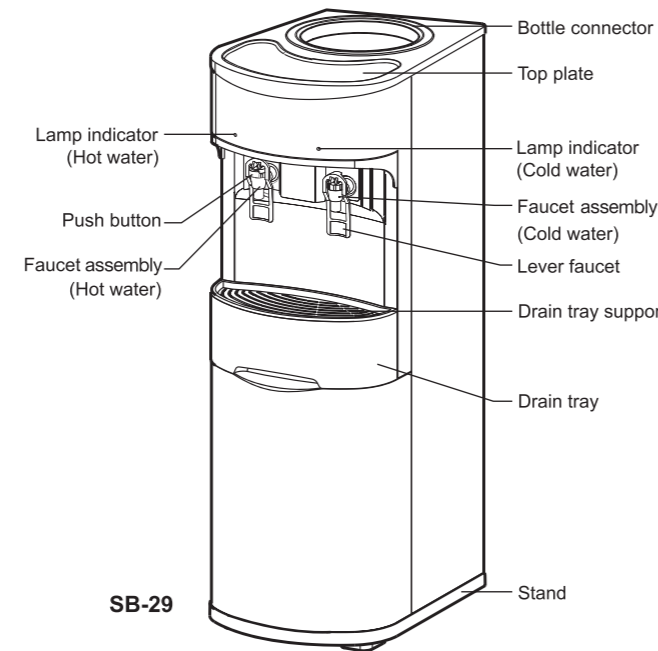
## WARNING

- Never share the wall outlet with other appliances.
- In case the power cord is broken, it must be replaced by manufacturer or appointed service providers or equivalent professional to avoid any damages.
- If the unit is malfunctioned, do not fix it by yourself, for your safety and the efficiently use of the unit, please contact SHARP service center in your area.
- Do not use mineral water, tea or other fluids than pure water with the unit, as it can cause plaques in the hot water bucket and can be clogged in the hot water supply pipe.

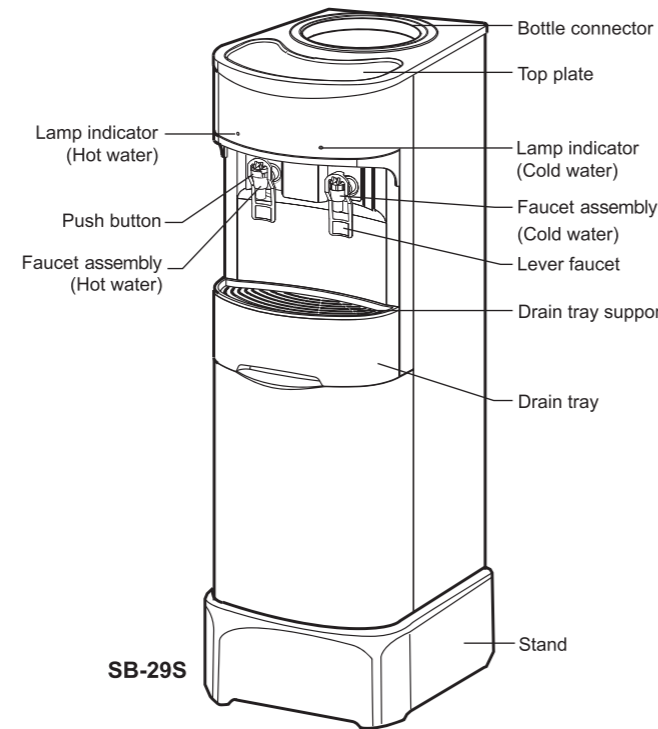
## CAUTIONS

- After a long operation, dirty and sediment may accumulate inside the tank cooler. Clean them off in order to enhance the refrigeration to high efficiency and not hot water clean to the tube and plastic parts, it may cause damage.
- Do not fill the cooler tank with water of temperature higher than 35°C because it cause the compressor to work hard as well.
- In case of fluctuated power supply (you may notice on blinking or less brightness of lamp), the unit must be plugged off.
- Do not unplug the unit during the night time because this unit has automatic temperature control.
- Before plug in the unit may be placed horizontally during transportation; therefore, you should place the unit vertically for approximately 24-48 hours before use so that the refrigerant in the compressor could flow back to a stable level. Then plug in the unit.
- Do not plug in while the hand is wet as it may cause injury from electrical leakage.
- Always hold the plug tightly while plug in or unplug. Do not pull or surge the electricity wire as the wire may be damaged.
- If the unit is turned off by unplug, when turn on the unit again, please wait at least 3 minutes to prevent the unit from being damaged.

## DESCRIPTION OF PARTS



SB-29



SB-29S

## SPECIFIC INFORMATION

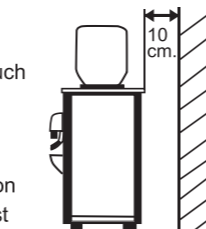
Model	SB-29	SB-29S
Rated voltage (V)	220	
Rated frequency (Hz)	50	
Power consumption (Heater) (W)	610	
Hot water capacity (Liters/Hr)	6	
Cold water capacity (Liters/Hr)	4	
Cooling agent	R-134a	
Rated current (A)	0.7	
Water temperature control	Thermostat	
Outside dimension (mm.) W x H x D	305 x 997 x 380	305 x 1,080 x 380
Weight (kg)	16.4	17.4

\* Detail is subject to change without prior notice.

## INSTALLATION GUIDES

### Location preparation.

Install the hot & cold water dispenser on a level floor to prevent vibration that may cause too much noise while operating this appliance.



### Appropriate ventilation.

Locate the hot & cold water dispenser in a location where there is proper air circulation. Allow at least 10 cm. of space between the hot & cold water dispenser (at rear) and the wall in order to allow for appropriate air circulation to cool the compressor. This will help the compressor last for longer.



### Install the hot & cold water dispenser in appropriate insulated area.

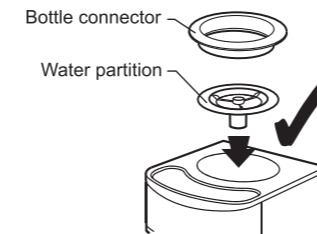
Install the hot & cold water dispenser in location that is properly insulated and not wet. For example, it may cover the floor with rubber liners etc. Also, keep the hot & cold water dispenser area free of water and humidity. Locate the appliance away from direct sunlight or sources of heat such as stove or oven etc.

## HOW TO USE HOT & COLD WATER DISPENSER

Be sure that the rated voltage is 220V only before use.

- Check and clean the tank cooler.
- Place water partition and bottle connector.

**Note** • Water partition must be placed every times, before use.



- Pour water from the bottle into the tank cooler and arrange the bottle to be in the middle.
- Plug in tightly with the wall outlet. The unit will start operating. (Cold lamp indicator shows orange light and changes to green when the cold water reaches the predetermined temperature)
- Hot lamp indicator shows orange color when plug in. Push "ON" button (at the back of the unit and the red light is shown). The water heater starts operation and the hot lamp indicator will change to red color when the hot water reaches predetermined temperature.

**Note** • If you want to use only the water cooler push "OFF" button to turn off the heater (at the back of the unit, the red light from hot lamp indicator is disappeared). The orange light from hot lamp indicator in the front of the unit is still shown.  
• Do not turn on water heater function if there is no water in the tank.  
• If the unit has not been used for a long time, turn off the water heater (OFF), unplug, take out the water bottle, and drain the left water out of the tank cooler.

### How to get hot water

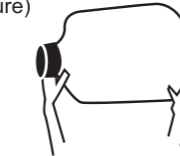
Push the push button for a while and push the hot water lever, hot water will be dispensed from the hot water faucet.

### Precaution

Water temperature is approximately 85-95 celsius degree. Therefore, please operate the unit carefully as the water may burn your skin.

## STEPS TO FILL WATER INTO THE UNIT

- Carefully lift bottle (Short-neck water bottle), using one hand hold at the neck of bottle and another hand hold at the bottom of bottle. (See in the picture)



- Tilt the bottle and invert the bottle quickly. (See in the picture)



- Place the bottle in vertical position and make sure the bottle settles properly on the hot & cold water dispenser. (See in the picture)



## CAUTIONS

Do not pour the water from the bottle to the tank cooler the tank cooler is full before placing the bottle on the unit. (See in the picture)



When the water is empty, and you would like to change to the new bottle of water, please follow below instructions:

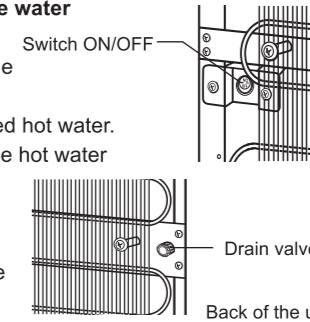
- Take out the empty bottle from the tank cooler.
- Check the water level in the tank cooler. It should not be more than half of the tank cooler. Then place the new water bottle by following the water refill instruction 1-3.

## CLEANING AND MAINTENANCE

Always unplug before cleaning.

### How to drain the water out from heater tank

- Push OFF button to turn off water heater and unplug (do not turn off the water heater without unplugging).
- Take out the water bottle from the hot & cold water dispenser.
- Proper a container for the drained hot water.
- Turn the drain valve cap to let the hot water drain out.
- When the water in hot water is drained out completely, turn the drain valve cap to tightly to close the drainage.



### How to eliminate the plaques in tank cooler

(Water partition must not be placed in the tank cooler)  
Mix the vinegar with water (1:1) for 4 litres. Pour the mixture into drinking tank cooler. Push hot water lever until hot water flows down. Push "ON" button to start hot water function for about 1 hour. Then stop for another 30 minutes. Drain the water through the drainage and the 2 faucets. Refill the water to clean the tank cooler for 2 or 3 times. In general, plaques elimination should be done every 6 months.

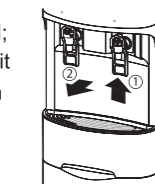
### Cleaning the unit

- Cleaning outside of the unit**, use damp cloth with mild soap to clean external surface then use damp cloth with clean water to wipe the soap and dry with soft cloth again.
- Note** : Do not clean outside of the unit by using any volatile such as benzene or thinner. Some of these volatile may discolor or damage some part of the unit.
- When condenser assembly is dirty**, sweep away and accumulation of dust should be wiped out to allow the machine works at maximum efficiency.

### Cleaning the parts

#### Drain tray

- Lift the drain tray (No.1) and remove it from the front of the unit (No. 2).
- Water in the drain tray must be removed; rinse and use sponge to clean then dry it with soft cloth and reassemble the drain tray into the unit.



MANUFACTURED BY WESTERN APPLIANCES CO., LTD.  
97 Moo 20 Sala Daeng, Bang Nam Phiao, Chachoengsao 24000

THAI CITY ELECTRIC  
THAI CITY ELECTRIC CO., LTD.  
163/4 New Petchburi Rd., Makasan, Ratchathewi, Bangkok 10400  
Tel. 0 2333 9111 Call Center 0 2254 5000  
E-mail : callcenter@thaicity.co.th

คิดบวก ทำบวก  
เพื่อเด็ก และสังคมไทย  
WWW.THAI-CITY-SOCIAL.COM

Sole Distributor in Thailand

www.thaicity.co.th  
www.sharp-weedub.com  
www.facebook.com/sharpweeclub

## INITIAL INSPECTIONS

Please inspect the following points before calling for service.

Symptom	Check points
Water is not cold / not hot or compressor does not work / heater does not work.	<ul style="list-style-type: none"> <li>Check if the plug is tight firmly.</li> <li>Check if there is problem with electricity or not. (If there is a problem with electricity, delay unit will automatically cut off the electricity for 3 minutes and then starts operating again)</li> </ul>
Overflow water from the base.	<ul style="list-style-type: none"> <li>Check if there is too much water in the tank cooler.</li> <li>Check if the water from the drain tray is leaking in the front of the unit or not.</li> </ul>
Unit operation is noisy.	<ul style="list-style-type: none"> <li>Check if the unit is place on incline floor or not.</li> </ul>
Water leakage, water drop, water ooze out.	<ul style="list-style-type: none"> <li>Check for any leakage at the tank cooler.</li> <li>Check for cracked water bottle.</li> <li>Check for any leakage or any water drop from the faucet body.</li> </ul>
Water cannot flow properly.	<ul style="list-style-type: none"> <li>Check water in the tank cooler. Is it freeze and blocked the water outlet?</li> </ul>

## TESTING FOR WATER LEAK FROM TANK COOLER

- Unplug the unit.
- Remove the water bottle from the hot & cold water dispenser, drain water from the tank cooler until water remains 3/4 of the tank cooler.
- Leave the unit for 24 hours and note whether water remains at the same level or any leakage from any parts. If the water level decreases, please inform SHARP service facility or contact SHARP company.